

DRSP SERIES

DRAGFLOW
ULTIMATE EFFICIENCY



DRSP (Multi-Purpose series) represents a step over on approach of dredging technique. The extreme mobility in any kind of swamp, together with the **full floatability**, allow to reach the most remote locations otherwise impossible to get with any other equipment.

Pumping capacity up to 600-800 m³/h with delivery distance up to 1500 meters or more can make possible to perform works with the highest productivity ever. The combination of such equipment with the DRAGFLOW dredging technology makes the **DRSP unbeatable in terms of efficiency and durability**.

Main characteristics of DRSP

- Floating side stabilizers
- Flat keel
- High stability thanks to the additional side floaters

THE DREDGE

Rear stabilizers

Thanks to a max working depth of 6,5m, the rear stabilizers can anchor the dredge during the dredging operations

Front Stabilizers

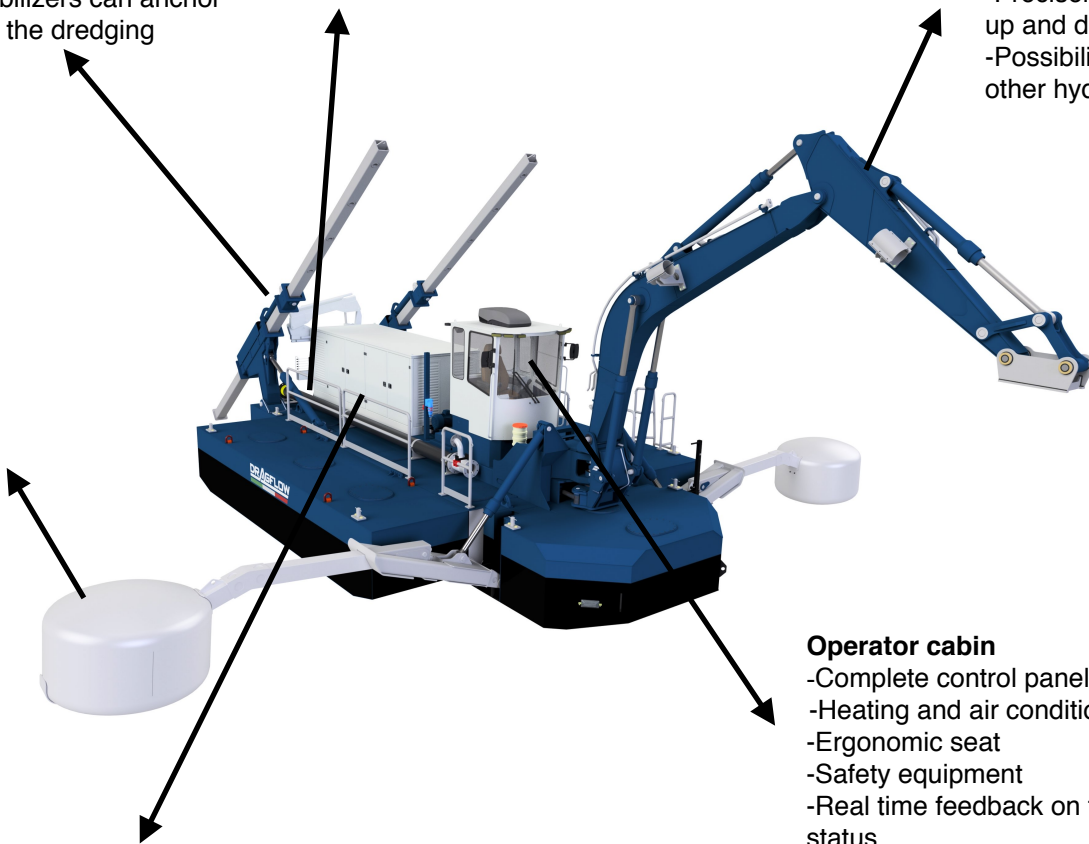
Two stabilizers with a volume of 2m³, increases the lateral stability of the dredge during all the operations

Thruster

The hydraulic thruster is driven from the cabin

Main arm

- Max working depth 7m
- Precisely moves pump up and down
- Possibility to install other hydraulic tools

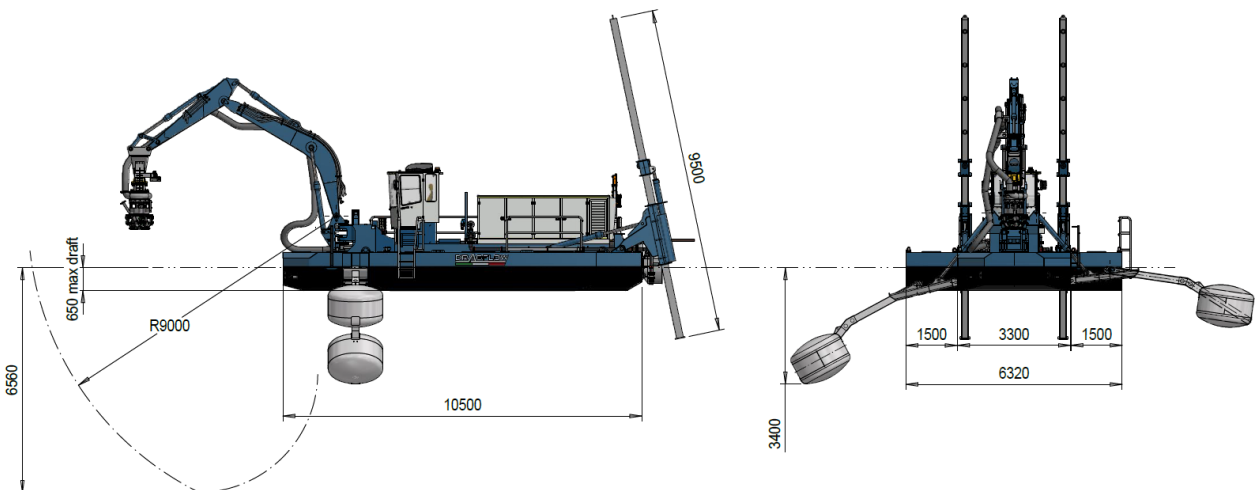


Operator cabin

- Complete control panel
- Heating and air conditioning
- Ergonomic seat
- Safety equipment
- Real time feedback on the equipment status
- Emergency stop controls
- Dredging monitoring system

Power pack

The hydraulic power pack can be based on electric motors or diesel engine in compliance with the latest European emission standards. It's always equipped with a sound proof enclosure



PUMPS

HY85/160 (LONG DISTANCE)

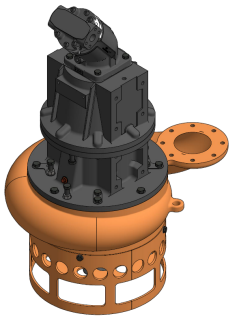
Max capacity: 400 m³/h
Max head: 63 m
Discharge diameter (DN): 200/250
Max solid handling: 60mm
Delivery distance: up to 1500 m

HYDRAULIC MOTOR

Motor displacement [cc - (cu in)] 160 - (9.8)
Power [kW-HP] 120-165

MATERIALS

Casing Spheroidal cast iron EN-GJS-800-2 (EN 1563)
Wear parts High chrome EN-GJN-HV600 (XCr18) (EN 12513)



HY85/160HC (HIGH CAPACITY)

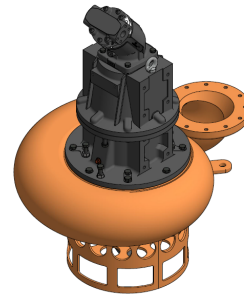
Max capacity: 800 m³/h
Max head: 40 m
Discharge diameter (DN): 250/300
Max solid handling: 90mm

HYDRAULIC MOTOR

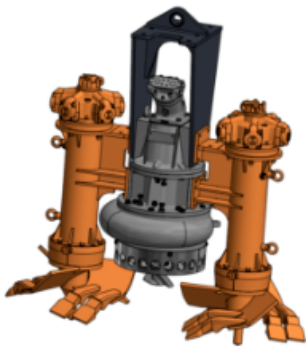
Motor displacement [cc - (cu in)] 160 - (9.8)
Power [kW-HP] 120-165

MATERIALS

Casing Spheroidal cast iron EN-GJS-800-2 (EN 1563)
Wear parts High chrome EN-GJN-HV600 (XCr18) (EN 12513)

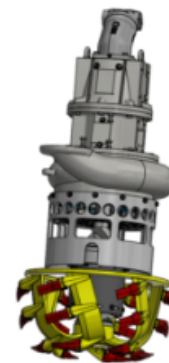


PUMP CUTTING TOOLS



Side Cutters

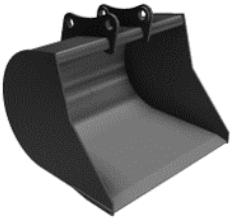
- Engine displacement: 700cc
- Replaceable teeth
- Radial piston hydraulic motor
- Oil requirement: 35 l/min each
- Weight: 500 kg
- Speed: 30 r.p.m. - 50 r.p.m.
- Torque: 314 kgm
- Rotates in both directions



DTM Cutter Head

- Hydraulic motor radial piston
- Displacement (cc) 1240
- R.P.M. 30
- Capacity (l/min) 40
- Max Torque (Nm) 5300
- Additional weight (Kg) 350
- Tooth system materials: harder and tougher alloy steel

ATTACHMENTS



Backhoe Bucket without teeth 1000 lt

- Cap. Sae. 1000 lt
- Weight: 830 kg
- Double base in S355



Backhoe Bucket 600 lt

- N. 4 teeth type Cat J300
- Cap. Sae: 600 lt
- Weight: 580 kg
- Double base in S355



Bucket Rake

- N. 11 teeth type Cat J300
- Weight: 1200 kg
- Distance between tips: 200 mm aprox



Clamshell Bucket 300 kg

- Weight: 300 kg
- Static flow: 2 ton
- Force: 1,7 ton
- Surface: 0,35 m2



Vibro pile-drivers

- Min Oil Flow: 100 l/min
- Working pressure: 150 bar
- Max centrifugal force: 12000 kg
- Vibration numbers: 2300
- Weight: 1200 kg

ENGINE

Iveco, Caterpillar, Volvo (other brands will be available on request)

- Turbo charged, diesel engine
- Air-water radiator cooled
- Flywheel power at 2000 rpm from 168 kW to 260kW
- Fuel tank capacity. 1000 L
- Electric system 24V
- Batteries 2x170 Ah

HYDRAULICS

- One axial piston pump for dredging and propeller - operating pressure max. 320 bar
- One axial piston pump for digging and stabilizers - operating pressure max. 280 bar
- One axial piston pump dedicated to the cutter head - operating pressure max. 250 bar

EXCAVATOR

- Swinging angle 170°
- Break-out force from bucket cylinder 83 kN
- Digging force from arm cylinder 47 kN
- Lifting capacity at max. reach 24,5 kN
- Quickly changeable attachments
- Max boom length 6.9 m

HULL

- One piece hull divided into 7 watertight compartments
- Corrosion resistant painting outside and inside
- Protective skid bars on underside
- Colored, signal lights for dredging and navigation

MATERIAL QUALITY

- Complete traceability of steel and construction materials
- Primary brand paintings

CABIN

- Modern cabin with excellent visibility
- 10 working lights

ANCHORING

- Independent anchoring and work movement without assisting vessels, winches or wire-cables
- Two front stabilizers max length 5,5 m
- Two rear tilting stabilizers max length 9,5 m
- Length can be variable, depending on projects

MOBILITY

- Self-loading and self-unloading to/from a trailer
- Moves independently in and out of water
- Self-propelled
- Amphibious in all work modes

COMPANY CERTIFICATES

- Quality certificate ISO 9001
- Environmental certificate ISO 14001

TRANSPORT DIMENSIONS AND WEIGHT

Transport length without boom	11,00 m
Transport length with boom	16,00 m
Transport width	3,30 m
Transport height	3,70 m
Transport weight (for the central module)	ca 25 t



ACE CENTRO ENTERPRISES
Innovating the future

+971 2 6737900

www.acecentro.com

salesteam@acecentro.com



DRAGFLOW
ULTIMATE EFFICIENCY